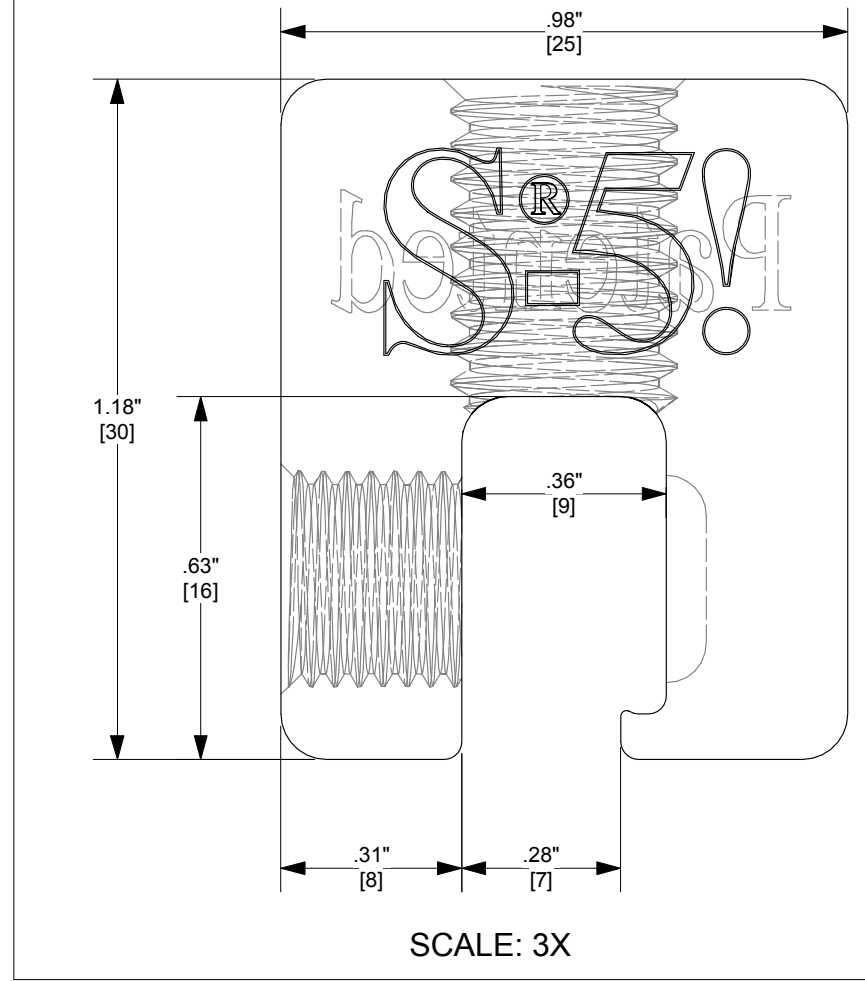
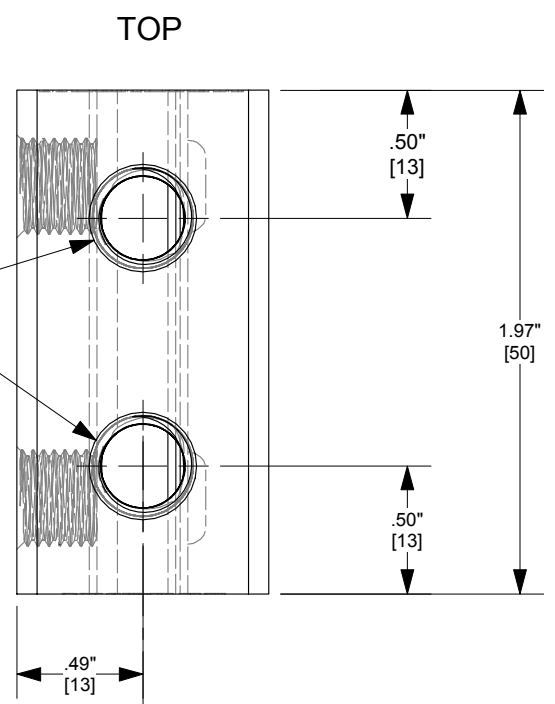
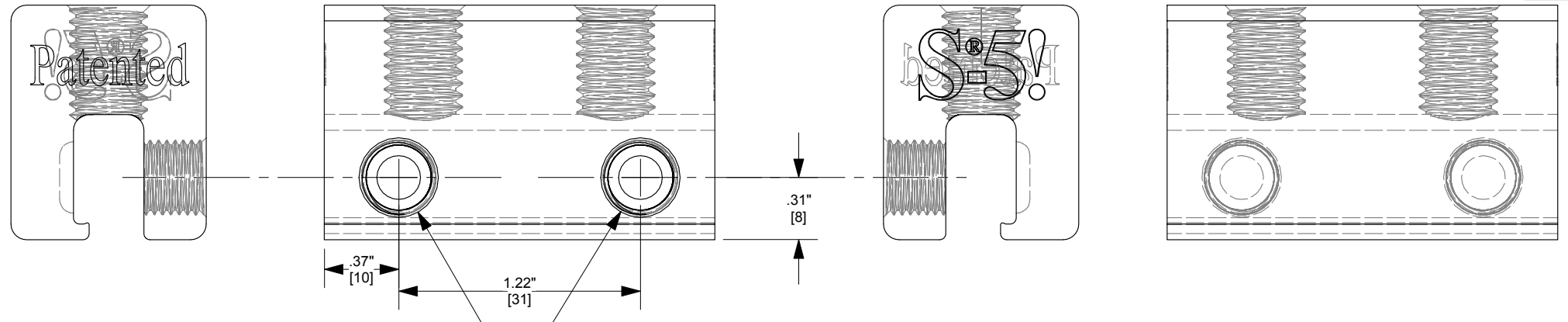


# S-5-E

(2X) M10-1.5 THREADED HOLE



SCALE: 3X



(2X) 3/8-24 THREADED HOLE

BACK

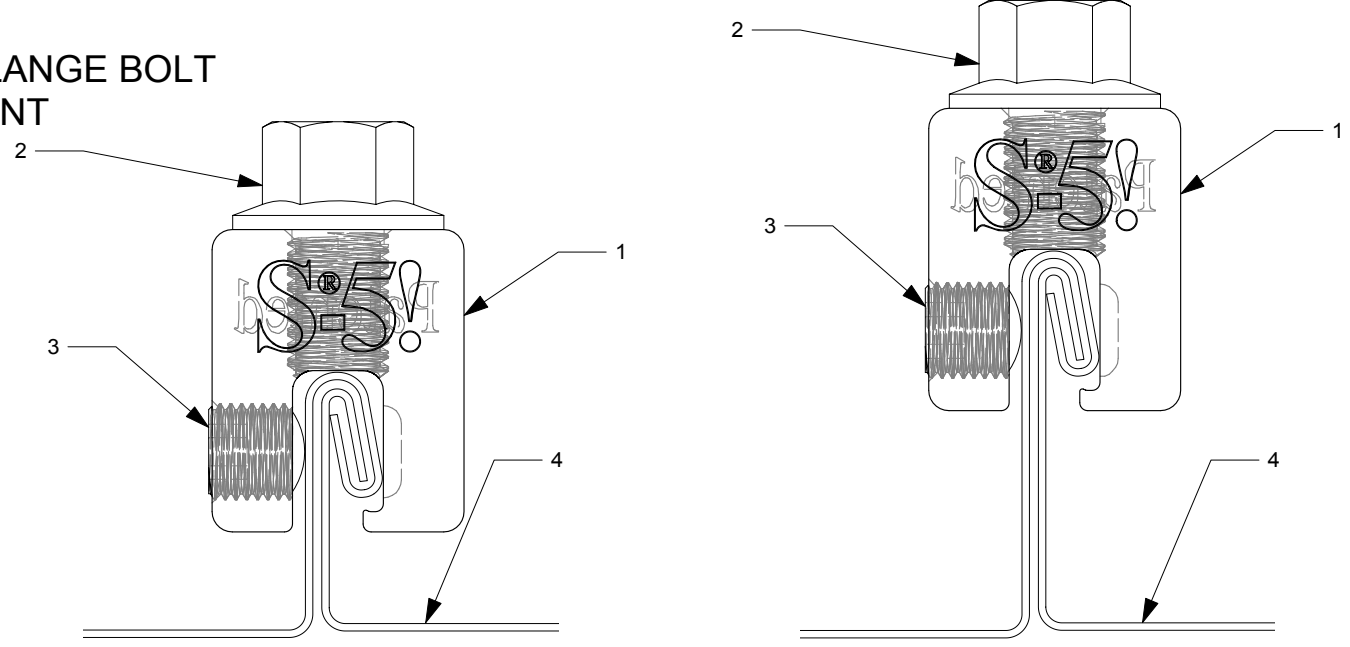
LEFT

FRONT

RIGHT

## Notes

1. S-5-E
2. M10-1.5 x 16MM HEX FLANGE BOLT
3. 3/8-24 X .5" ROUND POINT SETSCREW
4. EXAMPLE PROFILE



**Soligent** YOUR S-5! DISTRIBUTOR  
 SOLIGENT  
 800-967-6917  
 www.soligent.net

**FOR STANDING SEAM SPECIFIC MECHANICAL LOAD TEST INFORMATION AND CLAMP INSTALLATION INFORMATION PLEASE VISIT: WWW.S-5.COM**

MATERIAL: <b>6061 T6</b>	 <b>The Right Way!</b>	METAL ROOF INNOVATIONS, LTD. 8655 TABLE BUTTE RD COLORADO SPRINGS, CO 80908 719-495-0518 719-495-0045 (FAX)	
EST ASSEMBLY WEIGHT : <b>.25 LBS</b>		TITLE S-5-E	
SUPPLIED HARDWARE: M10-1.5 X 16MM (16MM HEX) 18/8 SS 3/8-24 X .500" 18/8 SS	DRAWING NO. E03-A-0-A CCD	DRAWN BY DMMH	DATE 05/15/2012
SCALE: <b>1:0.75</b>	<small>S-5!® PRODUCTS ARE PROTECTED BY MULTIPLE U.S. PATENTS INCLUDING 5,228,248, 5,983,588 AND 6,164,033 (OTHERS ISSUED AND PENDING). EUROPEAN PATENTS ARE ALSO APPLIED FOR AND PENDING UNDER THE PATENT COOPERATION TREATY WITH DIVISIONAL FILING RIGHTS RETAINED. METAL ROOF INNOVATIONS, LTD. (LICENSOR OF S-5!® TECHNOLOGY) AGGRESSIVELY PROSECUTES PATENT INFRINGEMENT.</small>		
OTHER:			